

DECK MOUNTED



Item No. DMB400

CLEAR HOOP JR INSTALLATION INSTRUCTIONS

STEP 1 PREPARE ANCHOR(S) FOR INSTALLATION

- Take anchor and locate parting line on outside front of anchor (opposite bolt) and mark a line on top lip of anchor directly above parting line (A1). This will give you a guide to align the anchor before concrete hardens.
- The hole in bottom of anchor should drain into the ground. Put a piece of tape over hole to prevent concrete from entering anchor. Poke hole in tape after anchor is set.
- Adjust anchor bolt (B1) so that brass locking wedge inside of anchor is in its lowest position.

STEP 2 Install anchor(s) CEMENT DECK

Method #1 (for uncured concrete decking)

- Tools needed:** Level, 3'-5' piece of 2" sch. 40 PVC pipe for leveling anchor.
- Position anchor approximately 6"-8" from pool edge, with anchor bolt facing away from pool wall (B1) and pencil line on top of anchor (A1) perpendicular to pool edge.
 - Pour cement, insert post into anchor and tilt post slightly away from pool water and using leveler adjust left/right levelness of post (Fig.1).
 - Put leveler on backside of post (away from pool water) and pull post towards pool water until post is level (Fig. 2). Pulling forward on the post simulates the position of the post when in use. Once leveled, pull post from anchor.
 - If possible, re-check levelness of anchor after cement has hardened somewhat and adjust if necessary. Unit will only be as level and square as anchor.

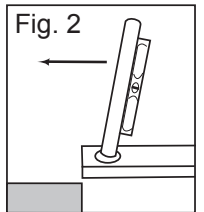
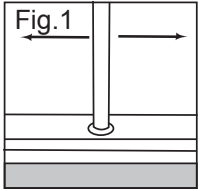
Method #2 (for uncured concrete decking)

Tools needed: One adjustable wrench, level, 3'- 5' piece of 2" sch. 40 PVC pipe for leveling anchor.

- Put PVC pipe in anchor and tighten anchor bolt with wrench.
- Position anchor approximately 6"- 8" from pool edge, with anchor bolt facing away from pool wall and pencil line on top of anchor (A1) perpendicular to pool edge.
- Brace post in level position (Fig. 1 & 2) then pour cement.

Method #3 (for cured concrete decking)

- Tools needed:** One adjustable wrench, level, 3'-5' piece of 2" sch. 40 PVC pipe for leveling anchor
- When installing anchor in existing concrete decking, a 5" diameter hole must be bored into concrete. Install anchor as described above in Method #1 or #2 and secure into place using any good quality anchor cement.



STEP 3 ASSEMBLE BASKETBALL UNIT

NOTE : To avoid scratching the backboard, it is required to have 2 people assembling the unit on a carpeted or padded floor.

- Attach rim and backboard to post as pictured (C), using four 5/16" x 1 1/4" carriage bolts, four 5/16" washers (C1), and finger tighten using four 5/16" lock nuts on back of post plate (C2).
- Make sure the square shoulder under the bolt head (C) is fully inserted into the square hole in the rim plate.
- Put net on rim.

STEP 4 SECURE BASKETBALL UNIT TO ANCHOR

- Adjust anchor bolt so brass wedge in anchor is in its lowest position. Put finishing ring on basketball post and lower post into anchor and adjust so keyed bottom of post drops and interlocks. Tighten anchor bolt (B1) with wrench until tight. Adjust backboard and rim so they are straight and then tighten 4 nuts with wrench (C2).

STEP 5 REMOVING BASKETBALL UNIT

- Lift up finishing ring and loosen anchor bolt (B1), tap bolt head with wrench and loosen all the way so brass wedge is in lowest position.
- Remove post from anchor and push anchor cap into anchor. Be careful when storing backboard to avoid scratching the surface.


WARRANTY

1. Clear Hoop is warranted to the original owner for three year from date of purchase, with proof of purchase. This warranty covers defects in materials and workmanship.
2. Parts returned under this warranty will be inspected. Damage which, in our judgment, occurred because of misuse, negligence or accident is not covered by this warranty. This warranty is void if the product has been altered or tampered with in any way.
3. Owner may send parts presumed defective directly to Dunn-Rite Products, freight prepaid. If Dunn-Rite agrees that the products are defective and covered by this warranty, Dunn-Rite Products will repair or replace at its' option, and return the parts, with no charge for repairs.

In no event shall Dunn-Rite Products be liable for incidental or consequential damages of any nature or kind, or for damages to persons or property.

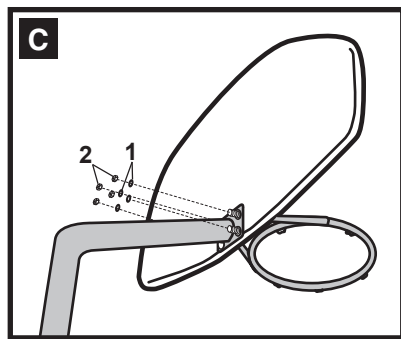
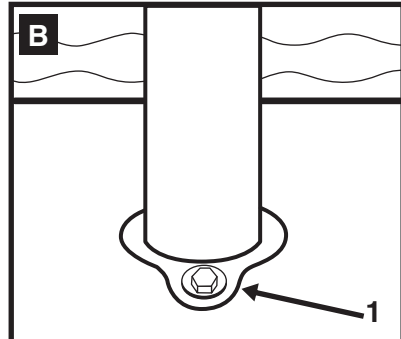
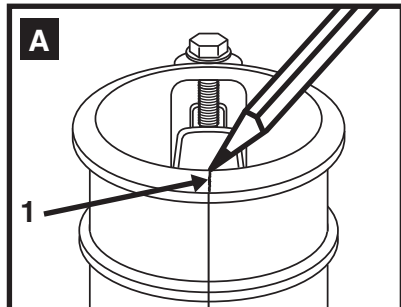
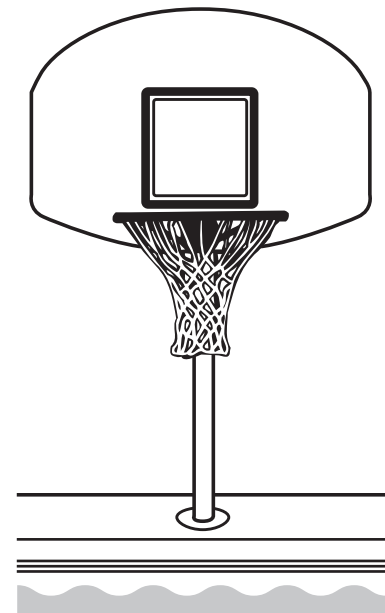
*If a part is missing or installation help is needed, call our HELP LINE for a quick response.

800-798-9646




DUNN-RITE
pool products

2200 South J Street Elwood, IN 46036
Fax 765-552-7773

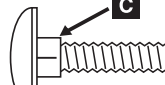


PARTS LIST

QTY.	Part
1	Anchor with Cap
1	Stainless Post with Finishing Ring
1	Acrylic Backboard
1	Stainless Vinyl Coated Rim with Net
1	Ball with Inflating Needle
4	Washers



5/16" Nylon Inserted
Lock Nut (4)



5/16 x 1 1/4"
Carriage Bolt (4)