

KAMADOJOE STAND-ALONE



Shown: Stand-Alone Red

KAMADOJOE STAND-ALONE

GRILL COMPONENTS & SPECIFICATIONS



Internal Components

Divide & Conquer Flexible Cooking System (includes rack, two half grates, two half heat deflectors)



Available in:
18" Classic Stand-Alone Red,
18" Classic Stand-Alone Black,
24" BigJoe Stand-Alone Red
24" BigJoe Stand-Alone Black



Divide & Conquer Flexible Cooking System



Stainless Steel Slide-Out Ash Drawer



Stainless Steel Dual-Disc Top Vent



Stainless Steel Hinge



Stainless Steel Handle

KAMADO JOE STAND-ALONE SPECIFICATIONS

Classic 18" Stand-Alone:

Dimensions	22" wide x 31.5" high x 28.5" deep	55,8cm wide x 80cm high x 72,3cm deep
Cooking Surface	18" diameter/254 square inches*	45.7 cm diameter/1,646 square centimeters
Weight	188 pounds	85 kilograms

Classic 24" Stand-Alone:

Dimensions	27" wide x 34.75" high x 34.25" deep	68,5cm wide x 88,2cm high x 87cm deep
Cooking Surface	24" diameter/452 sq inches**	61cm diameter/2,923 square centimeters
Weight	250 pounds	113 kilograms
Heat Range	225°F – 750°F+	82°C – 399°C

Materials

Base/Lid	High-Fire Heat-Resistant Ceramics	Grill Grate	304 Stainless Steel
Ceramic Glaze Heat	Resistant Ceramic Coating	Hinge	304 Stainless Steel
Fire Grate	Powder-Coated Cast Iron	Top Vent	304 Stainless Steel
Fire Box/Ring	High-Fire Heat-Resistant Ceramics	Draft Door	304 Stainless Steel

* Up to 660 sq. inches with second set of Grates and Grill Expander (sold separately)

** - ?

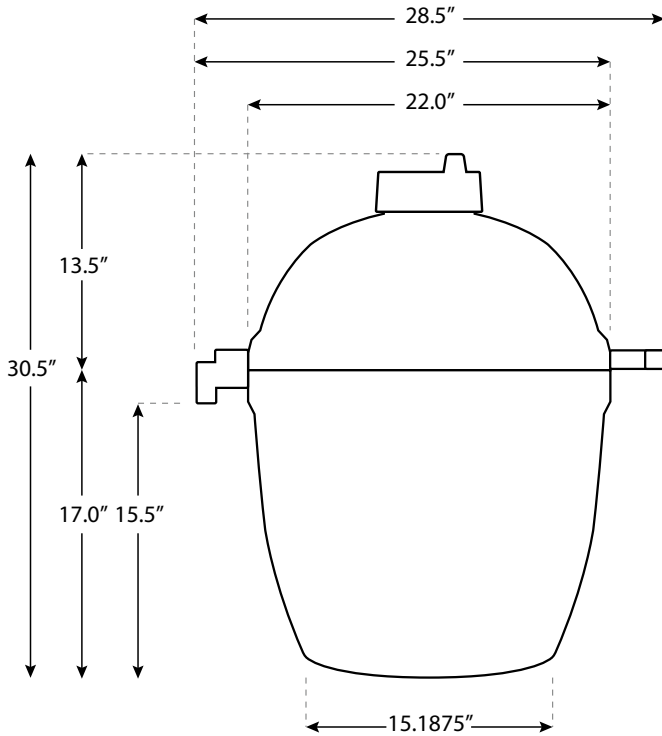
KAMADOJOE STAND-ALONE

DIMENSIONS & INSTALLATION GUIDE

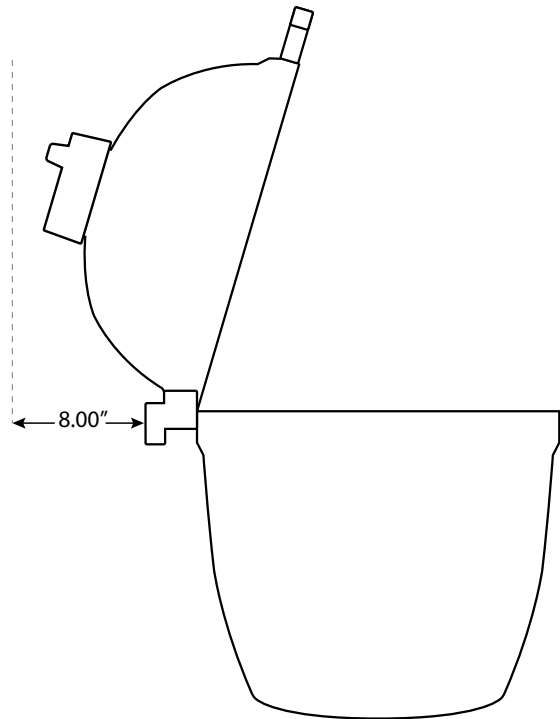
Important Dimension Notes

Please use this as a general guide for installing a ClassicJoe Stand-Alone ceramic grill in a built-in outdoor kitchen or grill table. **We highly recommend that the actual grill being installed be measured.**

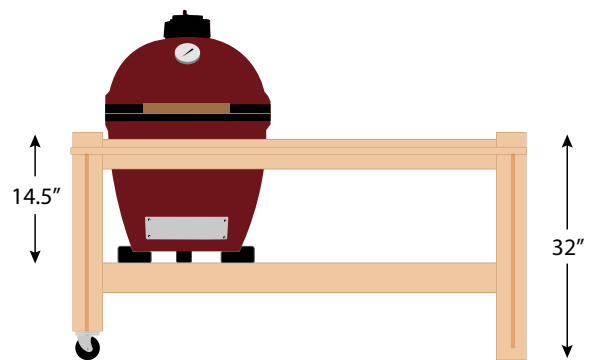
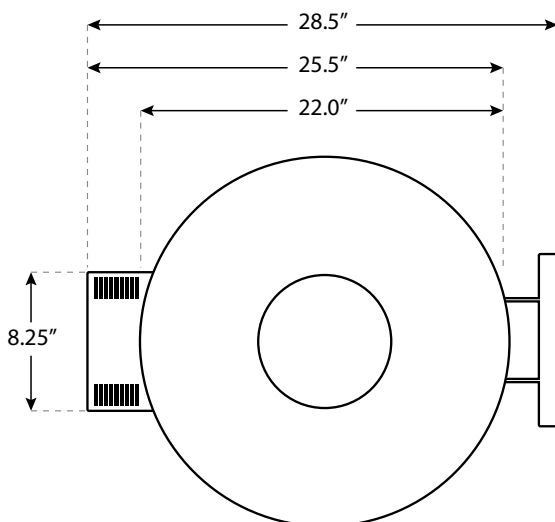
ClassicJoe Stand-Alone Side View



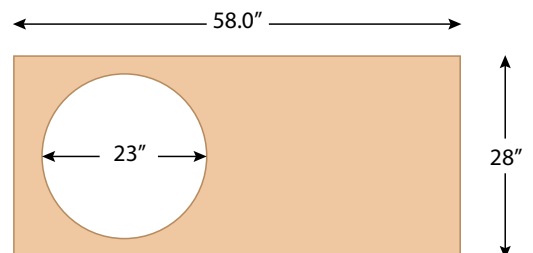
ClassicJoe Stand-Alone Open Clearance



ClassicJoe Stand-Alone Top View



The 1" ceramic feet are included in the height.



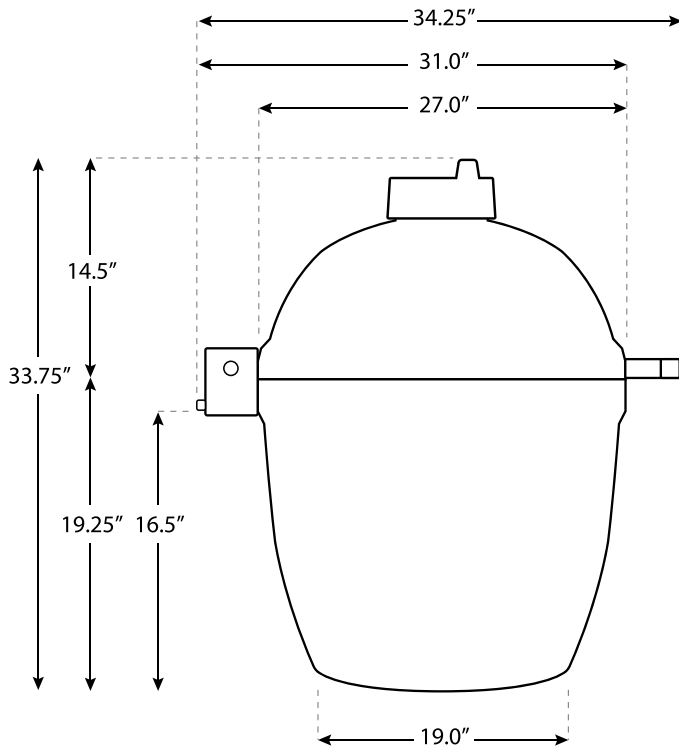
KAMADOJOE STAND-ALONE

DIMENSIONS & INSTALLATION GUIDE

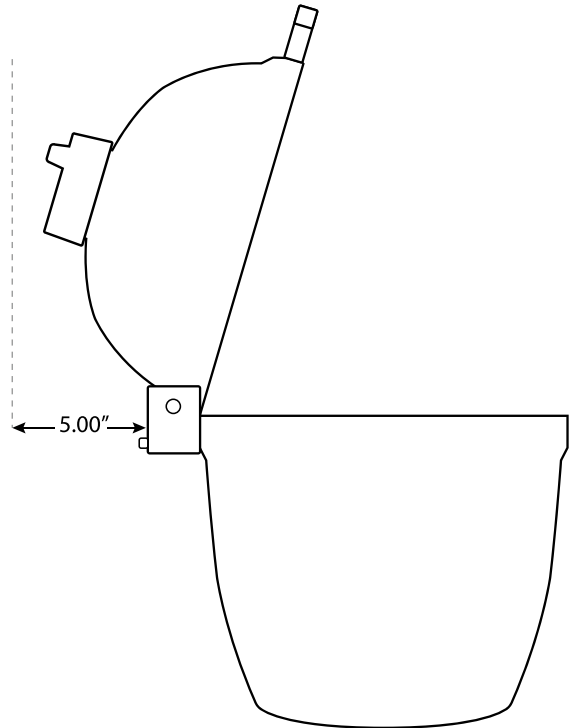
Important Dimension Notes

Please use this as a general guide for installing a BigJoe Stand-Alone ceramic grill in a built-in outdoor kitchen or grill table. **We highly recommend that the actual grill being installed be measured.**

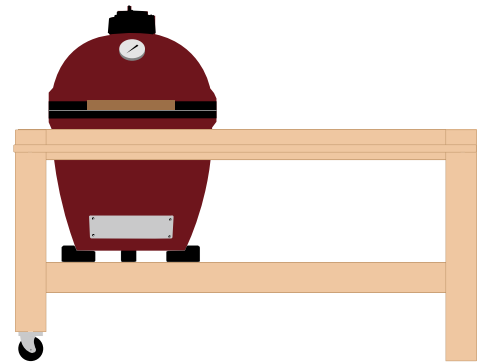
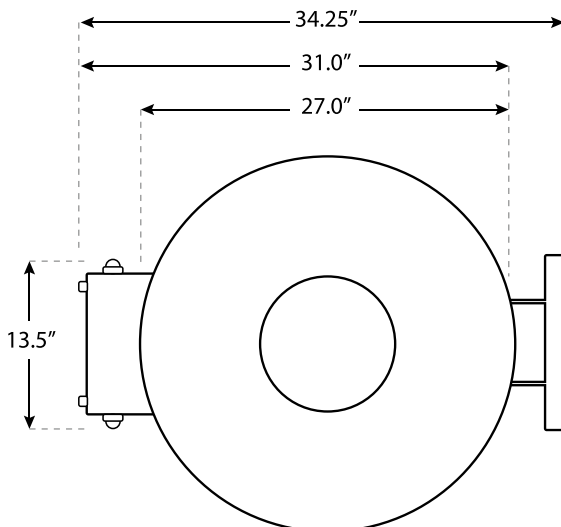
BigJoe Stand-Alone Side View



BigJoe Stand-Alone Open Clearance



BigJoe Stand-Alone Top View



The ceramic feet add 1" to the height.
A cut-out for the hinge may be necessary,
depending on the height of the table top.

